

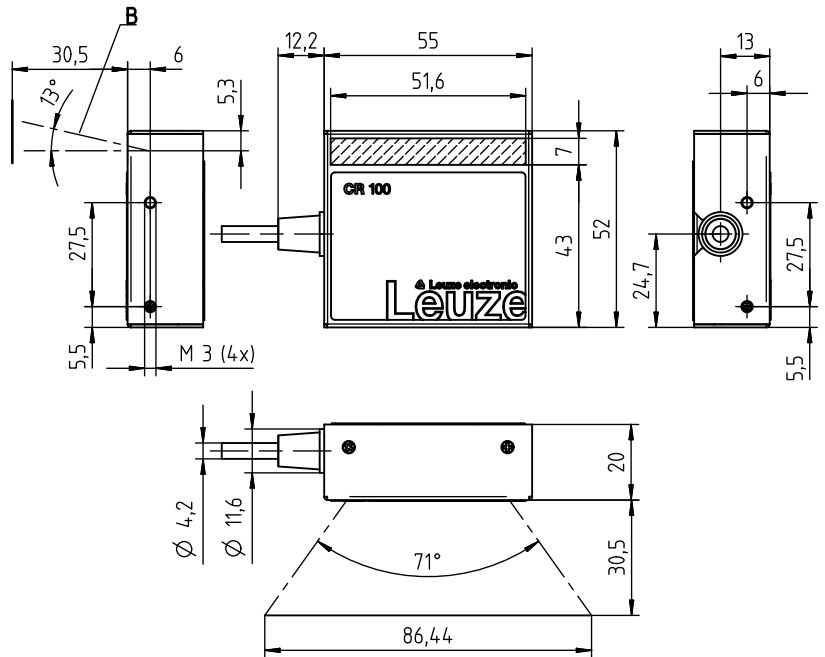
CR100M0

Bar code reader

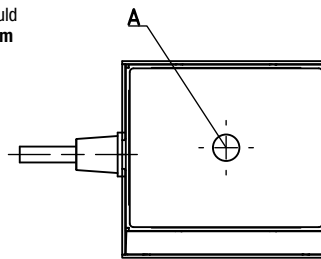
en 03-2018/12 50127968-02



Dimensioned drawing



Mounting screws M3 should not extend more than **3mm** inside the housing!



- A** Status LED
- B** Optical axis

Electrical connection

Wire color	Signal	Description	IN / OUT
Red	+5VDC	Power supply 5VDC	IN
Violet	GND	Power supply 0VDC / Ground	IN
Black	SW OUT	Switching output	OUT
Orange	SW IN	Switching input	IN
White	RS 232 RxD	Serial interface	IN
Green	RS 232 TxD	Serial interface	OUT



- CCD linear scanner for all common 1D bar codes
- Scanning rate 700scans/s
- Models with different scanning beam exit directions
- RS 232 interface
- Switching input and switching output
- Sheet metal case
- Simple mounting and fastening



Accessories:

(available separately)

- Adapter wiring board with spring clamps for contacting the single wires to a 9-pole SUB-D-type connector

We reserve the right to make changes • PAL_CR100M0R2_en_50127968_02.fm

Specifications

Optical data

Optical System	CCD Linear Imager
Light source	LED 660nm (red light)
Scanning rate	700 scans/s
Resolution	m = 0.15 ... 0.5mm / 6 ... 20mil
Read distance	see reading fields
Beam exit	on the side with deflection mirror (13°)
Code types	2/5 Interleaved, Code 39, Code 128, EAN 128, EAN/UPC, EAN Addendum, Codabar, Code 93
Software features	selectable output format, multiple read, real time decoding, control of switching input and switching output

Electrical data

Operating voltage	4.75 ... 5.4VDC (PELV) 1)
Power consumption	1.25W
Current consumption	nominal 250mA at 5VDC
LEDs	1 device/read status
Ports	1 switching input 5VDC 1 switching output 5 ... 30V, 20mA

Interface

Interface type	RS 232
Baud rate	4800 ... 57600Bd
Data formats	data bits: 7, 8 parity: none, even, odd stop bits: 1, 2
Protocols	framing protocol with/without handshake software handshake X ON / X OFF
Service interface	RS 232 with fixed data format: 9600Bd, 8 data bits, no parity, 1 stop bit <STX> data <CR> <LF>

Mechanical data

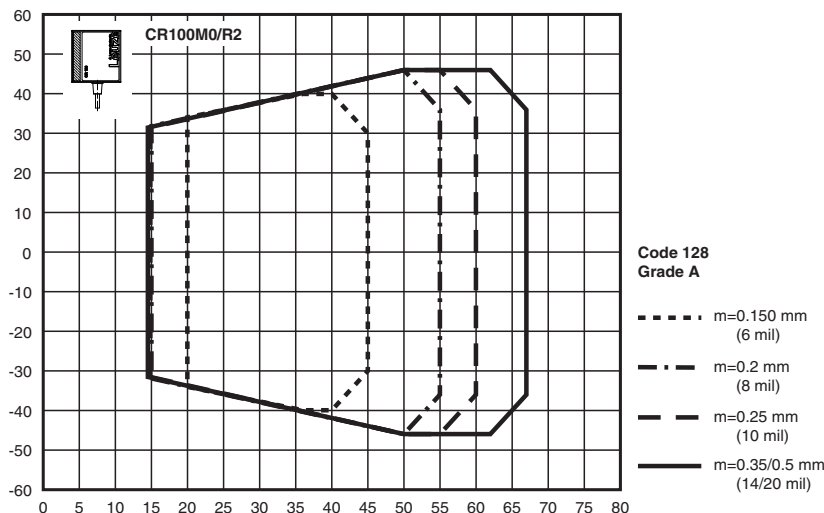
Housing	sheet metal, painted
Protection class	IP 40
Dimensions (WxDxH)	55mm x 20mm x 52mm
Weight	approx. 100g (without cable)
Connection type	fixed cable, 2m long, 6 x 0.081 mm ² (6 x 28 AWG)

Environmental data

Ambient temperature (operation)	0°C ... +45°C
Ambient temperature (storage)	-25°C ... +60°C
Air humidity	max. 90% rel. humidity, non-condensing
Ambient light	max. 5000Lux
Electromagnetic compatibility	EN 55022, EN 55024, IEC 61000-4-2, -3, -4 and -6
Conformity	CE, FCC Class B
Certifications	UL

1) For UL applications: for use in class 2 circuits according to NEC only

Reading fields



Order guide

Beam exit / connection type

on the side with deflecting mirror / fixed cable, 2m long

Designation	Part No.
CR100M0/R2	50127451

CR100M0/R2 - 03

Tables

Status LED

Color	Meaning
Orange, flashing	Start-up phase
Orange, continuous light	Reading gate active
Green	Good Read
Red	No code read

Remarks

Operate in accordance with intended use!

- ⚠ This product is not a safety sensor and is not intended as personnel protection.
- ⚠ The product may only be put into operation by competent persons.
- ⚠ Only use the product in accordance with the intended use.